

Portable Petrol Generators

BASIC SAFETY

Before using this equipment and to avoid personal injury, carefully read and understand these instructions. If there is anything you do not understand, DO NOT use this equipment, contact the hire company for advice.

Make sure you are aware of all safety requirements and that this equipment is suitable for the task you wish to undertake.

The work area must be cordoned off from the general public and bystanders.

This equipment must not be operated by persons who are under the influence of alcohol or drugs. Do not use this equipment if you are tired or unwell.

You MUST perform a risk assessment before using this equipment to ensure your safety and the safety of others.

This equipment must only be used by persons who are medically fit to do so. If you have any medical condition, are recovering from any medical condition or suffer from any mental or physical disability, you MUST seek professional medical advice before using this equipment.

Wear the correct Personal Protective Equipment for the task ahead.



Wear gloves when handling this equipment. Protect your hearing, always wear ear defenders.

Do not wear loose jewellery or clothing that may get in the way or become trapped in the equipment. Tie back long hair. Inform everyone in the work area of what you are doing.

Always operate, store and transport this equipment in an upright position.

Petrol DO'S and DON'TS

DO clear up petrol spillages immediately.

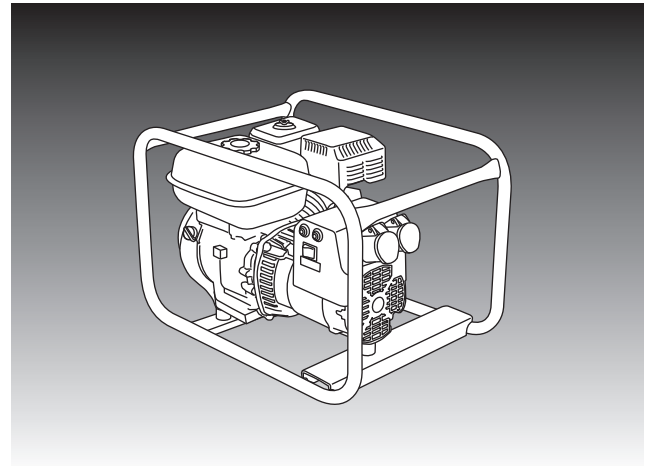
DO store spare fuel in a cool, safe place in an approved sealed container.

DO leave a one inch air space in the fuel tank when refuelling.

**DON'T refuel the engine when it is hot or running.
DON'T smoke or use a naked light when refuelling.**

Always switch OFF the engine when cleaning, making adjustments or when left unattended.

The engine produces exhaust gasses that can kill so safeguard against the risk of carbon monoxide poisoning. Do not operate this equipment within a building or in a confined space, ensure adequate ventilation.



Petrol engines become hot in use so avoid contact with the engine until it has cooled. Only operate this equipment in a well lit and ventilated area.

DO not work near flammable materials.

GET FAMILIAR! You must understand how to switch this machine OFF quickly in case of an emergency.



This equipment weighs in excess of 25KG, do not attempt to lift it on your own.

Make sure that all guards are present and correctly fitted.

Do not operate the generator close to flammable or explosive materials.

Carefully inspect the equipment before use, if there is any doubt about its condition, DO NOT USE IT.

ELECTRICAL SAFETY

If the equipment fails, or if any part becomes damaged, return it. DO NOT repair it yourself.

Fully unwind and loosely coil all extension leads. Position them away from the equipment where they will be protected from water, sharp objects and where they will not pose a trip hazard.

Keep the equipment dry, protect this equipment from damp or wet conditions.



For additional safety, an RCD should be used.

Check the items you wish to power from the generator and add their total wattage together. For each 1,000W you will require 1kVA. DO NOT attempt to use a generator with an output lower than you require.

Where a continuous supply is needed (lighting for example) make sure the load is no more than 80% of the generators rating.

You must also ensure that the 16A sockets are not overloaded, regardless of the generators capabilities. A 16A socket can supply a maximum 1700W. Distribution boxes can be used provided the same cautions are used.

PREPARATION

Choose a location for the unit where the ground is level and stable.

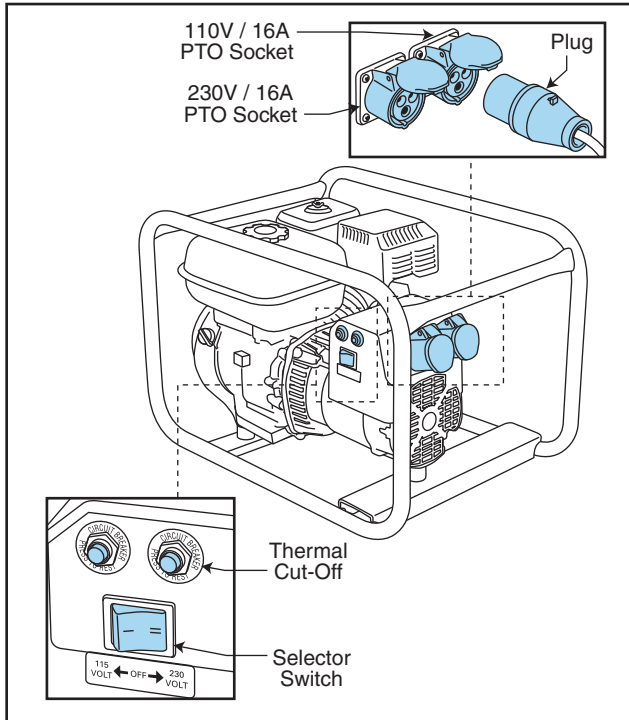
Ensure adequate room around the unit for the operator to work safely.

Position the generator on firm level ground then check the engine oil level and top up as necessary.

Remove the oil dipstick and check that the oil level is in line with the maximum marker. Top up as necessary with suitable engine oil then replace the dipstick.

THE CONTROLS

The engine is directly connected to the generator, whenever the engine is running the generator is working. The engines speed is fixed to ensure the correct power output, DO NOT tamper or alter the settings.

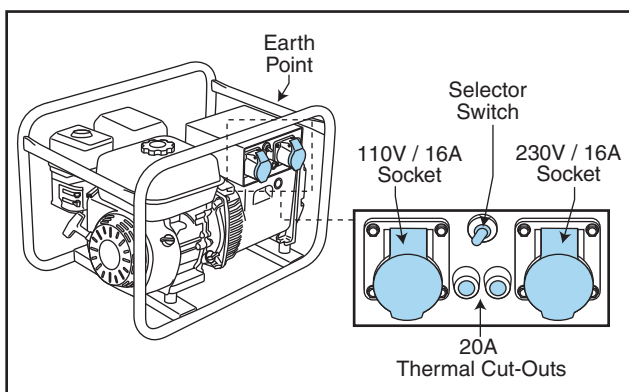


Most generators have two single outlets, 110V 16A and 230V 16A. However, only one voltage can be used at any time.

The voltage selector switch has three position, 110V, OFF and 230V. OFF should be selected when starting the engine.

Above the selector switch you may find two thermal cut-outs, usually a 20A for the 110V socket and a 10A for the 230V socket. These protect the generators circuits in case of a fault.

The earth clamp connection is normally located to the side of the engine. This should be connected to a suitable earth lead and rod. This connection should only be made by a qualified electrician.



OPERATING THE UNIT

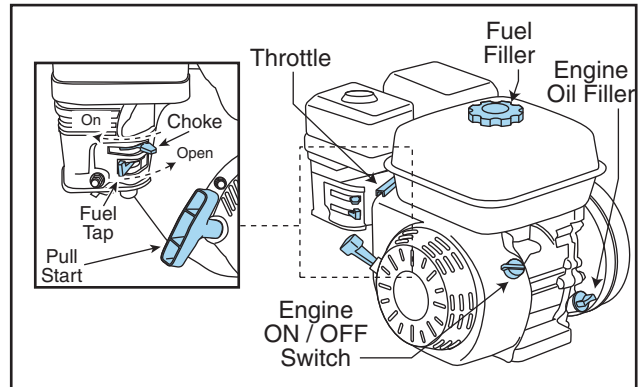
Before starting the generator, disconnect any leads plugged into the 16A sockets, set the selector to OFF and make sure the earth lead is connected.

If the engine is cold, set the choke fully on, if starting a warm engine set the choke half-way.

Open the fuel tap and move the ON/OFF switch to the ON position.

Now, give two or three smooth pulls on the starter cord to start the engine.

Once running, allow the engine to warm-up for at least 5 minutes, progressively moving the choke to off.



OPERATING OPTIONS

Once running, connect the power supply lead (or extension lead) to the respective power outlet socket, making sure that anything connected to it is SWITCHED OFF.

Move the selector switch to the respective voltage.

You can now proceed to use the equipment being powered.

EQUIPMENT MAINTENANCE & CLEANING

When cleaning this machine, disconnect the spark plug lead. DO NOT tip the machine on its side, keep the engine upright at all times.

When not being used, store the unit in a clean condition and in a safe place, away from thieves and unauthorised users.

FINALLY

When you have finished, switch OFF anything being powered. Set the selector switch to OFF and set the engine's ON / OFF switch to OFF.

Disconnect all leads and give the unit a thorough clean ready for return to the hire company.

NOTE

Failure to clean the equipment thoroughly may make you liable to a cleaning charge.